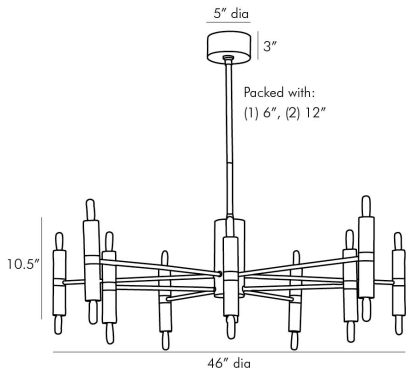


# ARTERIO RS

## BOZEMAN CHANDELIER



89633

H: 19.5 IN, Dia: 46.00 IN

Antique Brass

Contract Suitable As Is

This steel chandelier showcases a streamlined silhouette that is modern and minimalistic. Ten double-socket cylindrical candle sleeves stand at attention of the piped arms that extend from its columnar center at varying heights. With 20 brilliant lights and a sleek sheen that work together to illuminate the Bozeman is foundational piece for contemporary settings. Damp-rated, although limited covered outdoor conditions

### APPEARANCE

Material	Steel
Finish	Antique Brass
Top Coat/Sealant	true

### DIMENSIONS

Chandelier	H: 10.5 IN, Dia: 46.00 IN
Minimum Hanging Height	19.5 IN
Maximum Hanging Height	43.5 IN
Canopy	H: 3 IN, Dia: 5.00 IN

### WIRING

Rating	Damp
Cord	10 FT, Black/White, SVT
Socket	20, Type B=-E12 Other
Photographed Bulb	Small Clear Tubular Bulb
Maximum Watt	25
Voltage	110-120 V

### CERTIFICATIONS

Cerifications	Mexico United States, Canada
---------------	---------------------------------

### COMPLIANCY

UL/ETL	Yes
RoHS	true

### SHIPPING

Shipping Requirements	TruckShip
Product Weight	21 LBS
Gross Weight 1	43 LBS
Shipping Box 1	H: 18 IN, L: 47 IN, W: 46 IN

### REPLACEMENT PARTS

Replacement Part 1	PIPE-101
Replacement Part 1 Dim	(1) 6", (1) 12"
Replacement Part 2	CANOPY-423
Replacement Part 2 Dim	2.5" x 6"

### CONTRACT

Contract Suitable	true
-------------------	------